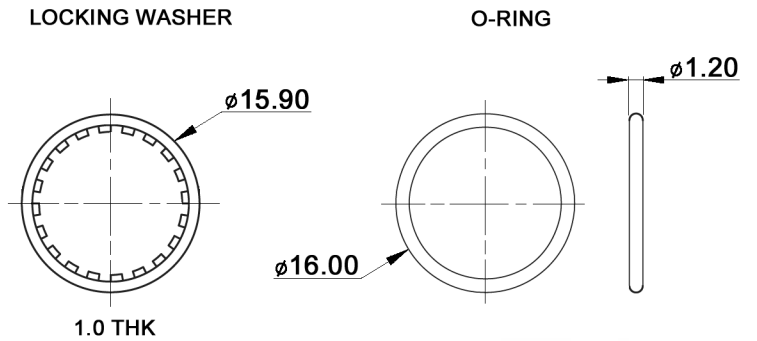
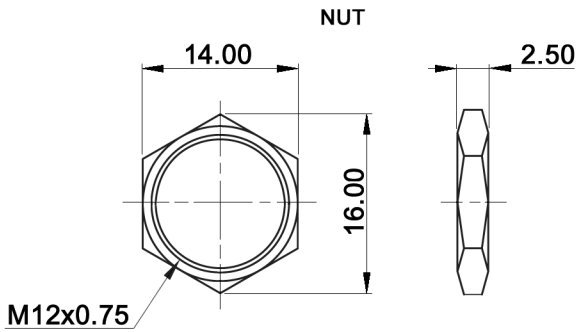


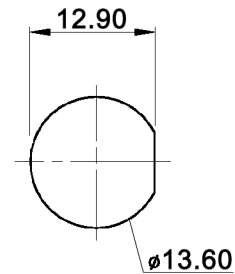
HARDWARE:



SWITCH FUNCTION

Model No.	POS. 1	POS. 2
DPW 1 BG	ON	(OFF)
Term. Conn.	1-3	OPEN

PANEL CUT-OUT



Compliance: RohS III (2015/863/EU)

Tolerances:	0.00: ±0.25mm	Date	Name
	0.0: ±0.40mm	02/14	dr
Accessory	10/19	dr	knitter-switch
Modifications	Date	Name	

DPW 1 BG D1P x

30 30 33

Page

1/2

Specifications:

Contact rating: max.: 500mA, 48V AC; 200mA, 50V DC; 200mA, 250V AC
 Contact resistance: 50mOhm max.
 Insulation resistance: 1GOhm min. at 500V DC
 Dielectric strength: 1500V AC RMS
 Operating temperature: -30°C to +85°C
 Mechanical life: 1 000 000 cycles
 Electrical life: 500 000 cycles
 Operating force: 2-5N
 Soldering conditions: 350°C max., 5sec.
 Panel thickness: 1.5mm min. - 4.0mm max.
 Travel: 1.5mm
 Torque: 1.5Nm max. applied to nut
 Material: Case: diallyl phthalate (DAP) (UL94V-0)
 Cap: polyamide 6/6
 Terminal / contacts: gold over silver plated
 Bushing: zinc alloy, black ED-coated
 IP rating: IP 67 (mounted)

x	Cap colour
W	white
K	black
R	red
O	orange
Y	yellow
G	green
B	blue

Compliance: RohS III (2015/863/EU)

Tolerances: 0.00: ±0.25mm 0.0: ±0.40mm		Date	Name	DPW 1 BG D1P x
		02/14	dr	
				30 30 33
Accessory	10/19	dr	knitter-switch	
Modifications	Date	Name		Page 2/2